

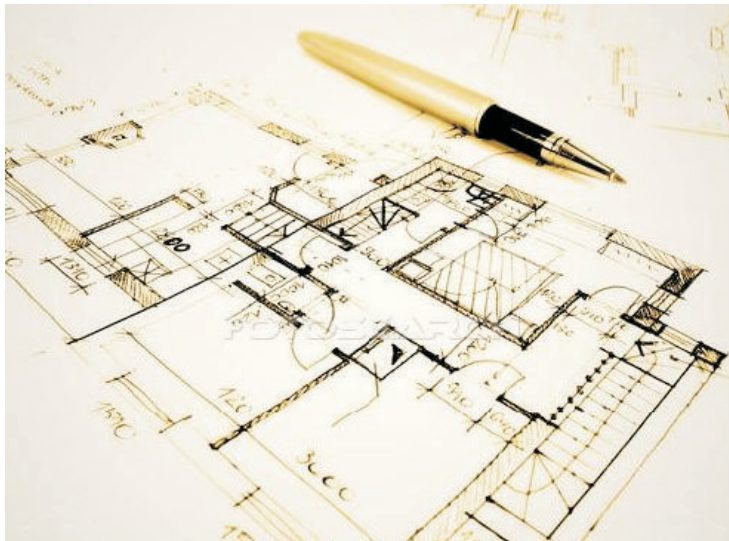


CENTERLINE DRAWINGS & SERVICES, INC.

DOCUMENT SAMPLES

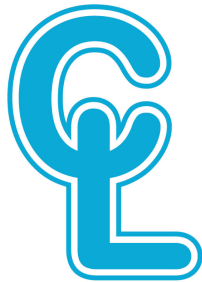
FOR

DOORS, FRAMES & HARDWARE



- * These documents are a sample of what you would get from us. Visit us at www.centerlinedrawings.com for a complete set of drawings.
- * We can customize shop drawings sheets to fit your needs.
- * Manufacturer literature will be provided if requested.
- * Your logo and business information will appear on the cover sheet.
- * We have many different types of reports we can provide for ordering.

SCHEDULE OF DOORS AND FRAMES



CENTERLINE DRAWINGS & SERVICES
 4111 EAST SOUTH STREET, STE "D" - LAKEWOOD, CA. 90712
 TEL. (562) 633-7511 - FAX (562) 634-2335
curt@centerlinedrawings.com

11 MAY 2011 - FOR APPROVAL ONLY. DO NOT ORDER MATERIAL

RECORD OF PRINTS				APPROVAL STAMP:	PROJECT:	
PRINTS	DATE	TO	FOR		<i>PROJECT NAME</i>	
REV No.	DATE	REVISION	BY		LOCATION: <i>4111 EAST SOUTH STREET, STE "D"</i> <i>LAKEWOOD, CA. 90712</i>	
				ARCHITECT: <i>CENTERLINE DRAWINGS</i>		
				CONTRACTOR: <i>CENTERLINE DRAWINGS</i>		
				SUBMITTALS PREPARED FROM:		
				<i>PLAN DATE: 2 JULY 2009</i>		
				<i>REVISION DATE: 2 JULY 2009</i>		
				<i>SPEC: 8110 - 8210 - 8710</i>		
				<i>ADDENDUM'S: NONE</i>		
				<i>BULLETIN'S: NONE</i>		
				<i>RFI'S: NONE</i>		
				SHEET No. <u> 1 </u> OF <u> 21 </u>		

DOOR AND FRAME CONSTRUCTION

FRAMES

HMF = HOLLOW METAL FRAME:

MANUFACTURE: STEELCRAFT (STE)
PRODUCT SERIES: "F" - (STE) STANDARD RETURN
INTERIOR: 16 GAUGE A60 GALV.
EXTERIOR: 16 GAUGE A60 GALV.
WELDING: CONTINUOUS FULL DEPTH & WIDTH
MUD BOXES: AT EXTERIOR AND CMU FRAMES ONLY.
SILENCERS: WHERE CALLED FOR IN HARDWARE SCHEDULE
HDW REINF: (DCI) STANDARD HARDWARE REINFORCEMENTS.
FINISH: 1-COAT OF (STE) STANDARD PRIME PAINT.

ANCHORS (SEE SHEET TD4)

PROVIDE 3-PER JAMB AND 2 AT HEAD OF PAIR OPENINGS.
 SPACE ANCHORS NOT MORE THAN 24" ON CENTER.
 JAMB: "WS" WOOD STUD - WELDED IN
 FLOOR: "WB" WOOD BASE - WELDED IN - UP 7" AT CURB

NOTE:

1. FOLLOW HARDWARE LOCATIONS SHOWN ON SHEET TD2.
2. INSERTS, BOLTS AND ALL FASTENERS IS BY OTHERS.

TMF = TIMELY FRAME:

SERIES: "C"
TRIM: STANDARD "TA8" - **STRIKE:** ASA 4-7/8 - **FINISH:** BROWNTONE
HARDWARE LOCATIONS: USE REVERSIBLE
HARDWARE REINF: REG. ARM TA-10

NOTE:

1. TIMELY REVERSIBLE HDW LOCATIONS. SEE SHEET TD2A.

DOOR VISION LITES & LOUVERS (SEE SHEETS TD5 & TD6):

VISION LITE: ANEMOSTAT LOPRO
LOUVER: ANEMOSTAT AFDL
FINISH: GREY PRIME FOR FIELD FINISH BY OTHERS.
 ALL GLAZING IS BY OTHERS
 SCREEN AT LOUVER: NOT REQUIRED

DOORS

HMD = HOLLOW METAL DOORS:

MANUFACTURE: STEELCRAFT (STE)
SERIES: "L" (POLYSTYRENE)
EXTERIOR: 16 GAUGE A60 GALV
CORE: "POLY" = POLYSTYRENE CORE
EDGES-SEE TD3: SEAMLESS - MANUF. STANDARD - BEVELED
TOP-SEE TD3: EXT = CAP TOPS FLUSH
BOTTOM - SEE TD3: STANDARD INVERTED.
ASTRAGAL: (STE) STD. IF NONE SHOWN IN HARDWARE SCHEDULE
HDW. REINF: (STE) STANDARD HARDWARE REINFORCEMENTS.
FINISH: 1-COAT OF (STE) STD. RUST INHIBITIVE & BAKED ON PRIMER.

WD - WOOD DOORS:

MANUFACTURE: (CUSTOMER MANUFACTURE)
INDUSTRY STANDARD: WIC PREMIUM - GRADE "A" - 5-PLY
PRODUCT SERIES: (PRODUCT BID)
FACE: "PSRO" = PLAIN SLICED RED OAK - BOOK & PAIR MATCH
CORE: "PC" = PARTICLE BOARD - "FD1" = MINERAL CORE 60 MIN
EDGES: MATCHING - BEVELED
STILES: HARDWOOD
RAILS: MILL OPTION
ADHESIVE: TYPE 1 - BOND TO CORE
BLOCKING: MILL STANDARD AT MINERAL CORE ONLY
 THROUGH BOLT SURFACE APPLIED HARDWARE AT NON RATED
FINISH: "SPL" = FACTORY FINISH CLEAR - MILL STANDARD SYSTEM
 SEAL ALL EDGES AND CUTOUTS.
INTUMESCENT SEAL: CAT "A" CONCEALED IN DOOR EDGES
WARRANTY = LIFE OF ORIGINAL INSTALL

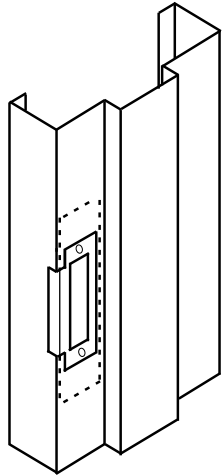
CUSTOMER NAME

YOUR PROJECT
 DOOR & FRAME
 CONSTRUCTION

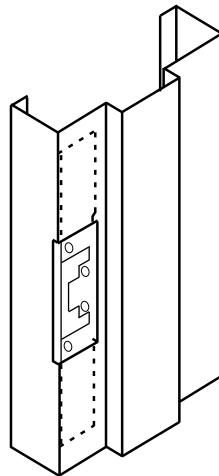
SPECWORKS CONTROL No.	1067
SHEET No.	TD1

SEE SHEET TD1 FOR SPECIFIC CONSTRUCTION NOTES

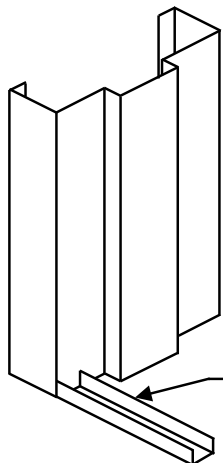
NOTE: HARDWARE REINFORCEMENTS WILL BE MANUFACTURER STANDARD UNLESS NOTED OTHERWISE ON SHEET TD1. SEE CATALOG CUT SHEETS FOR SPECIFIC INFORMATION.



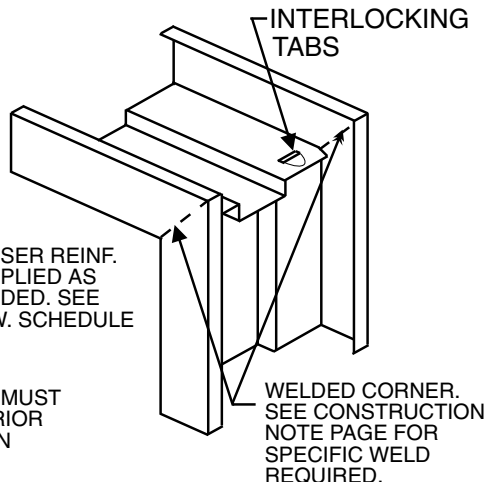
16 GAUGE ASA 4-7/8\"/>



7 GAUGE UNIVERSAL HINGE REINFORCING

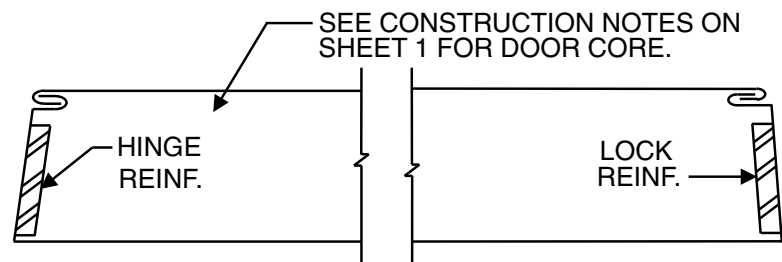


SPREADER BAR



CORNER CONSTRUCTION

ALL HM DOORS	STANDARD	OPTIONAL	ALL EXT HM DOORS
	DOOR TOP	DOOR TOP	
	STANDARD	OPTIONAL	ALL HM DOORS
	WITH SEAM	SEAMLESS	
DOOR EDGE	DOOR EDGE		
	STANDARD	OPTIONAL	
	DOOR BOTTOM	DOOR BOTTOM	



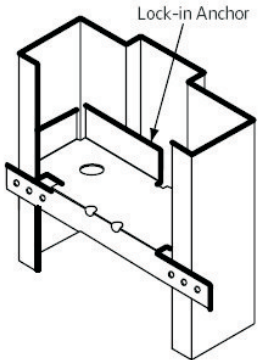
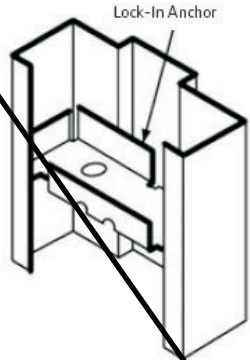
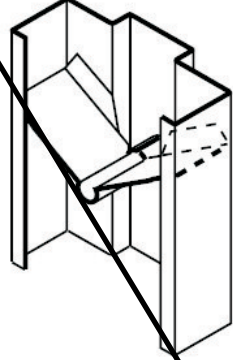
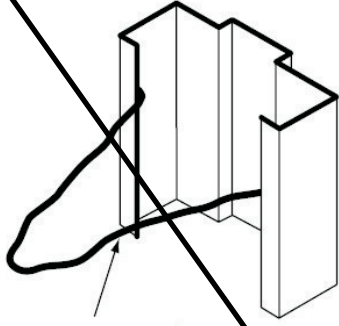
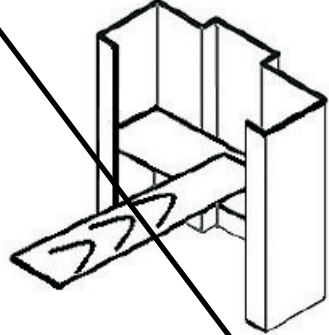
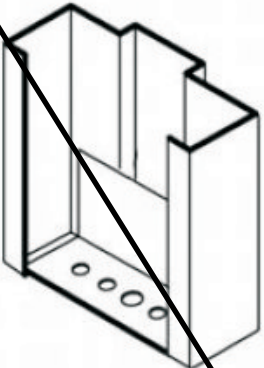
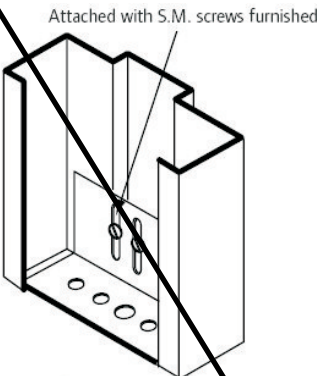
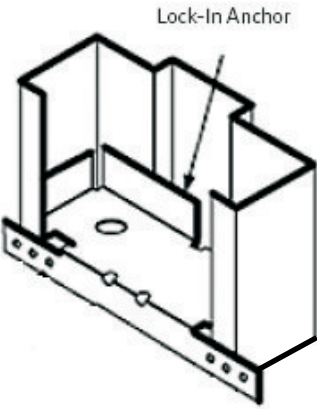
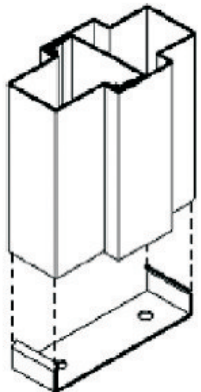
NOTE:
1. ALL HARDWARE REINFORCEMENTS WILL BE MANUFACTURER STANDARD. SEE CATALOG CUT SHEETS FOR SPECIFIC INFORMATION.

1 3/4\"/>

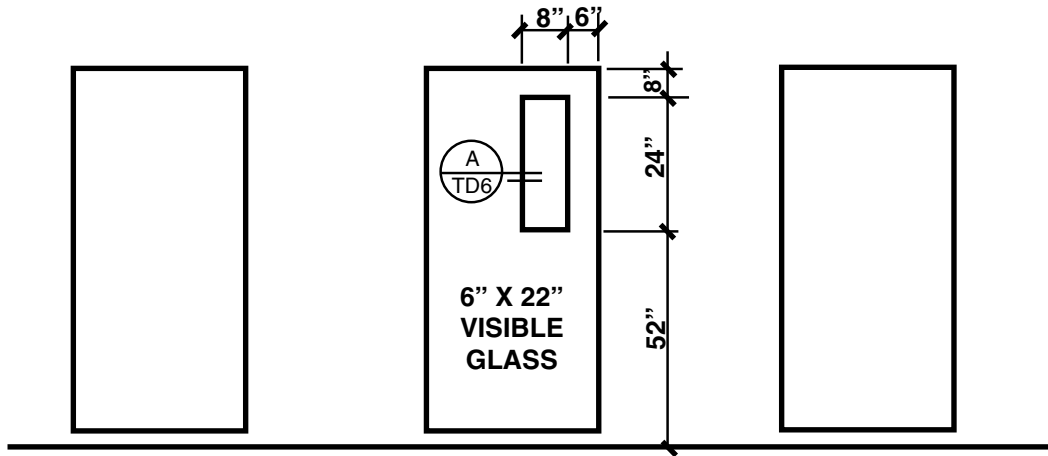
CUSTOMER NAME

**HOLLOW METAL
TECH-DATA**

SPECWORKS CONTROL No.	1067
SHEET No.	TD3

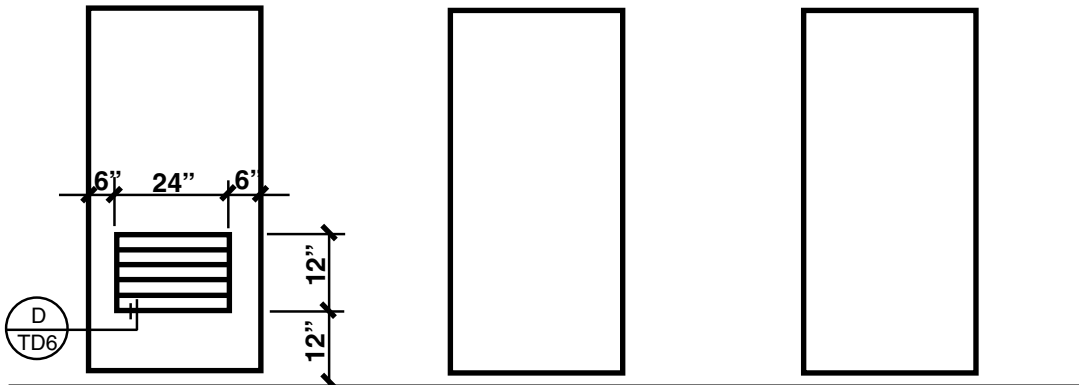
STUD ANCHORS		STUD/MAS ANC	MASONRY ANCHORS	
 <p>Lock-In Anchor</p> <p>(WS) WOOD STUD</p>	 <p>Lock-In Anchor</p> <p>(SS) STEEL STUD</p>	 <p>(EW) EXISTING WALL</p>	 <p>3/16" (5 mm) dia. wire</p> <p>(MW) MASONRY WIRE</p>	 <p>(MT) MASONRY "TEE"</p>
BASE ANCHORS				
 <p>(FB) FIXED BASE</p>	 <p>Attached with S.M. screws furnished</p> <p>(AB) ADJUSTABLE BASE</p>	 <p>Lock-In Anchor</p> <p>(WB) WOOD STUD BASE</p>	 <p>(MB) MULLION BASE</p>	
CUSTOMER NAME			ANCHORS	SPECWORKS CONTROL No. 1067 TD4

CUTOUT DIMENSIONS SHOWN



F

N



L



NOTES:

1. ALL DIMENSIONS NOTED FOR VISION LITES AND LOUVERS IN DOORS ARE CUTOUT SIZES AS INDICATED ON DOOR DETAIL SHEET.
2. FOR DOOR UNDERCUTS SEE DOOR DETAIL SHEET.
3. DOOR CLEARANCES WILL BE AS FOLLOWS UNLESS NOTED OTHERWISE.

WOOD DOORS IN TIMELY FRAMES:

- A. 1/16" AT HINGE EDGE, 1/8" AT LOCK EDGE & 3/32" AT HEAD.
- B. UNDERCUTS WILL BE AS DETAILED ON SILL CONDITION SHEET.

WOOD DOORS IN HOLLOW METAL FRAMES:

- A. 1/16" AT HINGE EDGE, 1/8" AT LOCK EDGE & 1/8" AT HEAD.
- B. UNDERCUTS WILL BE AS DETAILED ON SILL CONDITION SHEET.

HOLLOW METAL DOORS:

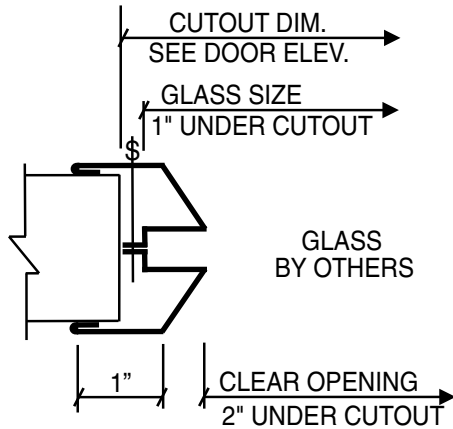
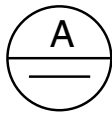
- A. 1/8" AT HINGE EDGE, 1/8" AT LOCK EDGE & 1/8" AT HEAD.
- B. UNDERCUTS WILL BE AS DETAILED ON SILL CONDITION SHEET.

CUSTOMER NAME

DOOR
ELEVATIONS

SPECWORKS CONTROL No.	1067
SHEET No.	TD5

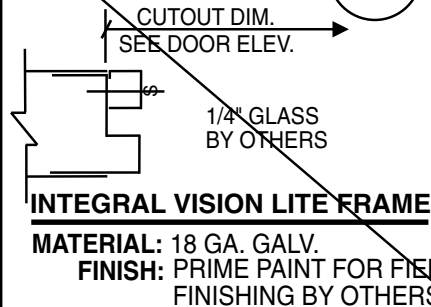
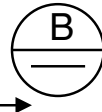
GLASS STOP



GLASS BY OTHERS

ANEMOSTAT - MODEL LOPRO
MATERIAL: 20 GA. COLLED ROLLED STEEL
FINISH: GREY, BEIGE OR BRONZE

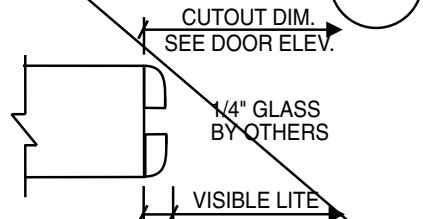
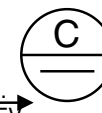
GLASS STOP



INTEGRAL VISION LITE FRAME

MATERIAL: 18 GA. GALV.
FINISH: PRIME PAINT FOR FIELD FINISHING BY OTHERS.

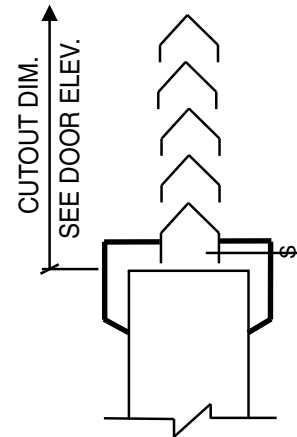
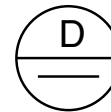
GLASS STOP



STANDARD FLUSH STOP

MATERIAL: MATCH FACE
FINISH:

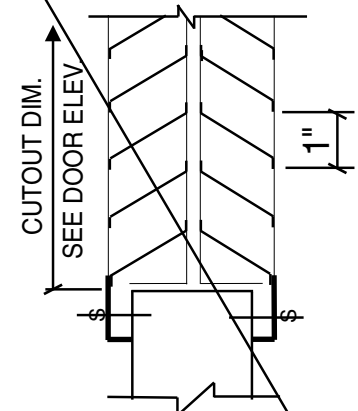
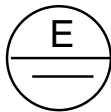
LOUVER



ANEMOSTAT - MODEL AFDL

MATERIAL: 18 GA. COLD ROLLED STEEL FRAMES.
 20 GA. C.R.S. BLADES
FINISH: GREY, BEIGE OR BRONZE
FREE FLOW AREA: 50%

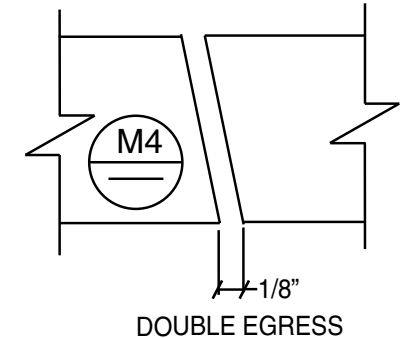
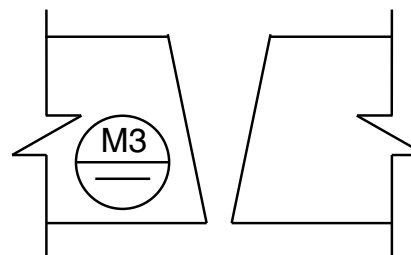
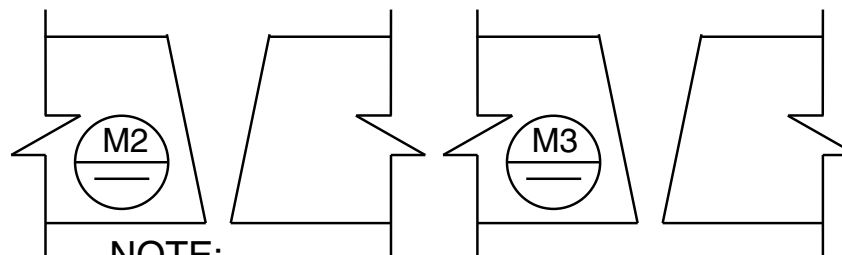
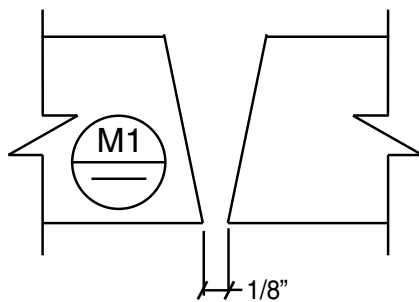
LOUVER



ANEMOSTAT - MODEL FDL5

MATERIAL: 18 GA. COLLED ROLLED STEEL
FINISH: GREY, BEIGE OR BRONZE
FREE FLOW AREA: 50%

MEETING STILE DOOR EDGES (PAIRS)



NOTE:
 SEE THE HARDWARE SCHEDULE FOR MEETING STILE DOOR EDGES, SEALS AND ASTRAGALS.

CUSTOMER NAME

DOOR DETAILS

SPECWORKS CONTROL No. **1067**
 SHEET No. **TD6**

Door & Frame Assembly Schedule

Qty	Md	Door Mark No	Hdwe Hdng	Hdwe Spec	Outside	Inside	Hand	Fire Rtg	Dr Qy	Opening/Door Size		Door Information							Sil Det	Frame Information									
										Width	Height	Thick	Type	Core	Face/Material	Fin	Elv	Undrct		Type	Ga	Elv	WallType	WallSize	Jamb	Fin			
1	SGL	01	01	01	EXTERIOR	LOBBY	RHR	NON-RTD		4'0"	7'0"									HMF	14	A/EL1	EXT	7-1/2"	8-1/8"	PRI			
							RHR	NON-RTD	1	4'0"	7'0"	1-3/4"	HMD	POLY	16GA	A60	PRI	F/TD5	1"	S9/TD7									
1	SGL	02	02	02	LOBBY	HALL	RH	60MIN		3'0"	7'0"									HMF	16	B/EL2	INT	6-3/4"	7-7/8"	PRI			
							RH	60MIN	1	3'0"	7'0"	1-3/4"	WD	FD1	PSRO		SPL	F/TD5	1/2"	S7/TD7									
1	SGL	03	03	03	HALL	OFFICE	LH	NON-RTD		3'0"	7'0"									HMF	16	B/EL2	INT	6-3/4"	7-7/8"	PRI			
							LH	NON-RTD	1	3'0"	7'0"	1-3/4"	WD	PC	PSRO		SPL	N/TD5	5/8"	S1/TD7									
1	SGL	04	04	04	HALL	RESTROOM	RH	NON-RTD		3'0"	7'0"									HMF	16	C/EL3	INT	6-3/4"	7-7/8"	PRI			
							RH	NON-RTD	1	3'0"	7'0"	1-3/4"	WD	PC	PSRO		SPL	L/TD5	5/8"	S1/TD7	Frame Remark : SIDELITE								
1	PR	05	05	05	HALL	CONFERENCE	RH	NON-RTD		6'0"	7'0"									HMF	16	B/EL2	INT	6-3/4"	7-7/8"	PRI			
							RH	NON-RTD	1	3'0"	7'0"	1-3/4"	WD	PC	PSRO		SPL	F/TD5	5/8"	S1/TD7									
							LH	NON-RTD	1	3'0"	7'0"	1-3/4"	WD	PC	PSRO		SPL	F/TD5	5/8"	S1/TD7									
1	SGL	06	06	06	HALL	OFFICE	RH	20MIN		3'0"	7'0"									TMF		F/EL6	INT1	4-3/4"					
							RH	20MIN	1	3'0"	7'0"	1-3/4"	WD	PC	PSRO		SPL	F/TD5	13/32"	S2/TD7									
1	SGL	07	03	03	HALL	OFFICE	LH	NON-RTD		3'0"	7'0"									HMF	16	D/EL3	INT	6-3/4"	7-7/8"	PRI			
							LH	NON-RTD	1	3'0"	7'0"	1-3/4"	WD	PC	PSRO		SPL	N/TD5	5/8"	S1/TD7	Frame Remark : SIDELITE								
1	PR	08	05A	05	EXTERIOR	ELECTRIC ROOM	RHR	NON-RTD		6'0"	7'0"									HMF	14	A/EL1	EXT	7-1/2"	8-1/8"	PRI			
							RHR	NON-RTD	1	3'0"	7'0"	1-3/4"	HMD	POLY	16GA	A60	PRI	F/TD5	1"	S9/TD7									
							LHR	NON-RTD	1	3'0"	7'0"	1-3/4"	HMD	POLY	16GA	A60	PRI	F/TD5	1"	S9/TD7									
1	SGL	09	07	07	EXTERIOR	LOBBY	LHR	NON-RTD												ALF		AL	N/A						
							LHR	NON-RTD	1								ALD			Frame Remark : ALUMINUM FRAME BY OTHERS									
							Door Remarks: ALUMINUM DOOR BY OTHERS																						
1	RU	10	08	08	EXTERIOR	SHIPPING		NON-RTD												STL		RU	N/A						
								NON-RTD	1								STL			Frame Remark : ROLL UP DOOR FRAME BY OTHERS									
							Door Remarks: ROLL UP DOOR BY OTHERS																						
1	BL	WA	BL	BL	LOBBY	CONFERENCE		NON-RTD		SEE	ELEV									HMF	16	E/EL5	INT	6-3/4"	7-7/8"	PRI			
																				Frame Remark : WINDOW TYPE A									

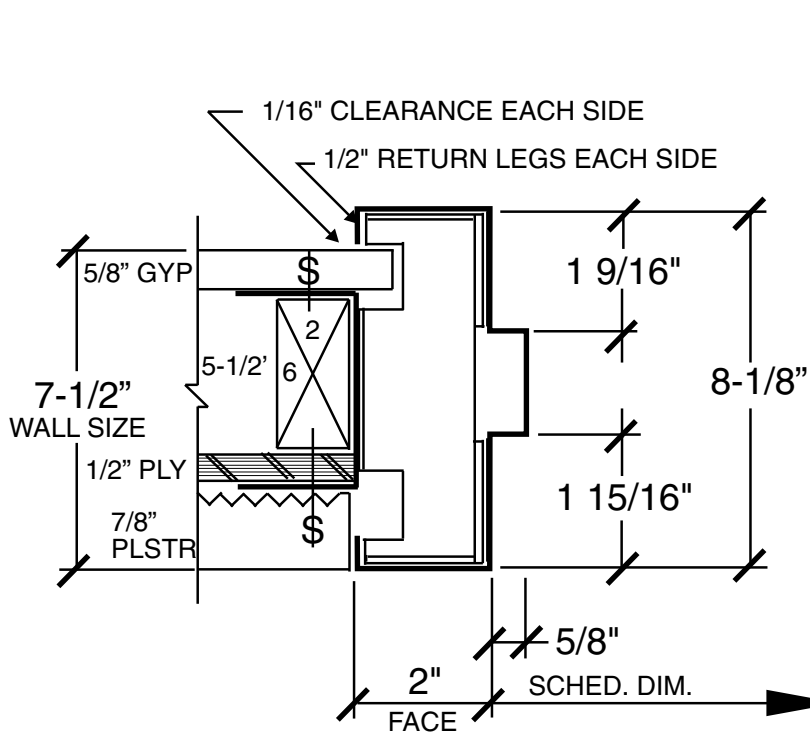
Project : PROJECT NAME	Control # : 1067	Print Date : 06/08/2011	Project # :
Supplier : CUSTOMER NAME	Revision # :	Rev Date :	Dr & Fr Sched Page : 1

Wall Type Schedule

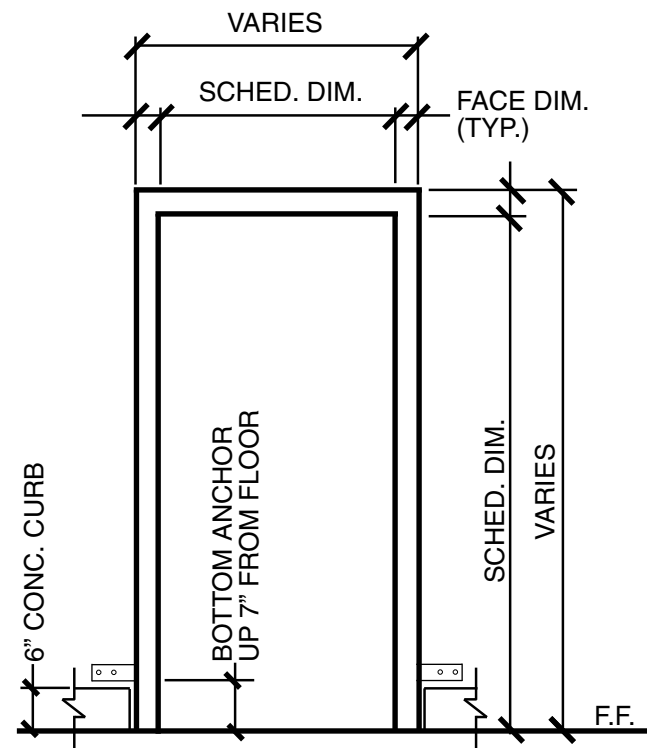
Mark	Frame Type	Wall Type	Int/Ext	Wall Construction	Wall Fire Rating	Wall Size	Jamb Depth	Left Sill Anchor	Right Sill Anchor	Left Jamb Anchor	Right Jamb Anchor	Head Anchor
01	HMF	EXT	EXT	5/8 GYP-2X6WD STUD-1/2PLY-7/8PLASTER		7-1/2"	8-1/8"					
02	HMF	INT	INT	5/8GYP-2X6WD STUD-5/8GYP		6-3/4"	7-7/8"					
03	HMF	INT	INT	5/8GYP-2X6WD STUD-5/8GYP		6-3/4"	7-7/8"					
04	HMF	INT	INT	5/8GYP-2X6WD STUD-5/8GYP		6-3/4"	7-7/8"					
05	HMF	INT	INT	5/8GYP-2X6WD STUD-5/8GYP		6-3/4"	7-7/8"					
06	TMF	INT1	INT	5/8 GYP. - 2X4 WD STUD - 5/8 GYP.		4-3/4"						
07	HMF	INT	INT	5/8GYP-2X6WD STUD-5/8GYP		6-3/4"	7-7/8"					
08	HMF	EXT	EXT	5/8 GYP-2X6WD STUD-1/2PLY-7/8PLASTER		7-1/2"	8-1/8"					
09	ALF	AL		ALUMINUM FRAME BY OTHERS		N/A						
10	STL	RU		ROLL UP DOOR AND FRAME BY OTHERS		N/A						
WA	HMF	INT	INT	5/8GYP-2X6WD STUD-5/8GYP		6-3/4"	7-7/8"					
WB	TMF	INT1	INT	5/8 GYP. - 2X4 WD STUD - 5/8 GYP.		4-3/4"						

Project : PROJECT NAME	Control # : 1067	Print Date : 06/08/2011	Project # :
Supplier : CUSTOMER NAME	Revision # :	Rev Date :	Wall Legend Page : 1

OPNG. No.	QUAN.	DOOR SWING	DOOR OPNG.		CLSR	FIRE LAB.		HINGES	MANF/MODEL: _____ SIZE: _____	OTHER INSTRUCTIONS:
			WIDTH	HEIGHT					GAUGE: _____ BACKSET: _____	
								STRIKE	LOCK: _____	
									DEADBOLT: _____	
									FLUSH BOLT: _____	
									SILENCERS: _____	



01, 08



EXTERIOR

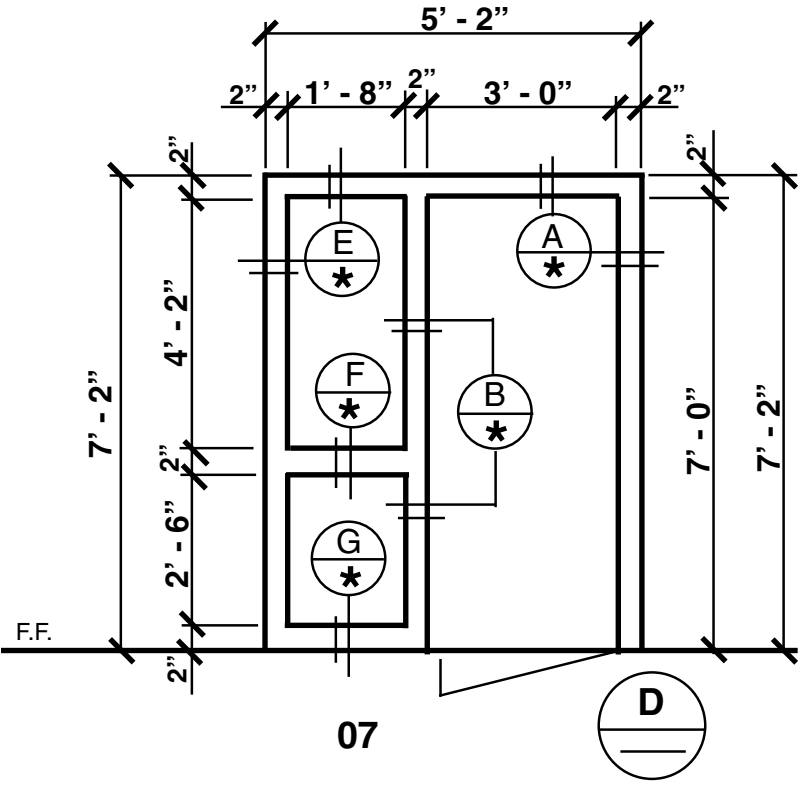
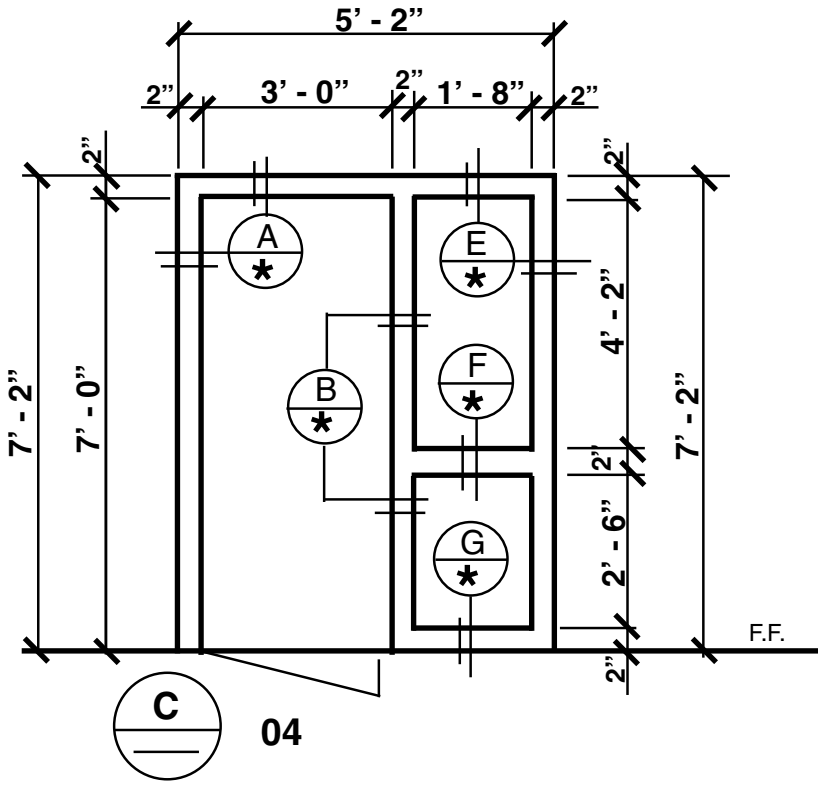
MATERIAL 14 GA A60	WELD SEE TD1	ANCHORS ^{WS/} TD4	FLOOR WS	WALL TYPE EXT	ELEV. A
FINISH SEE TD1	KD-DW NO	SEE TD1 EA. JAMB	SEE TD1 HEAD / SILL	MORTAR BOX YES	PLAN REF. 10/A 8.1

CUSTOMER NAME

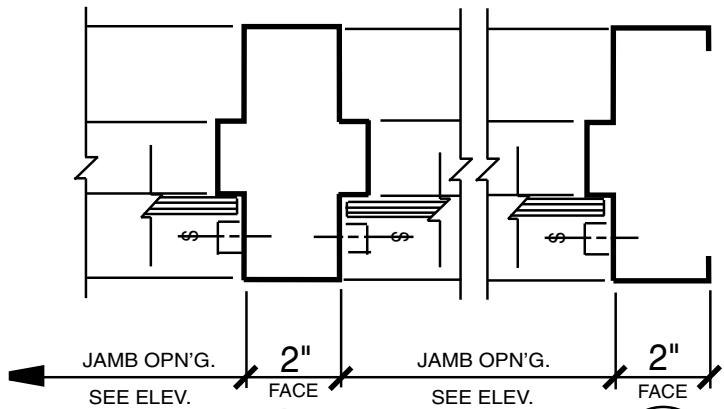
FRAME ELEVATION

SPECWORKS CONTROL No.	1067
SHEET No.	EL1

OPNG. No.	QUAN.	DOOR SWING	DOOR OPNG.		CLSR	FIRE LAB.		OTHER INSTRUCTIONS:		
			WIDTH	HEIGHT						
			HINGES						MANF/MODEL: _____	SIZE: _____
			STRIKE						GAUGE: _____	BACKSET: _____
									LOCK: _____	
		DEADBOLT: _____								
		FLUSH BOLT: _____								
		SILENCERS:								

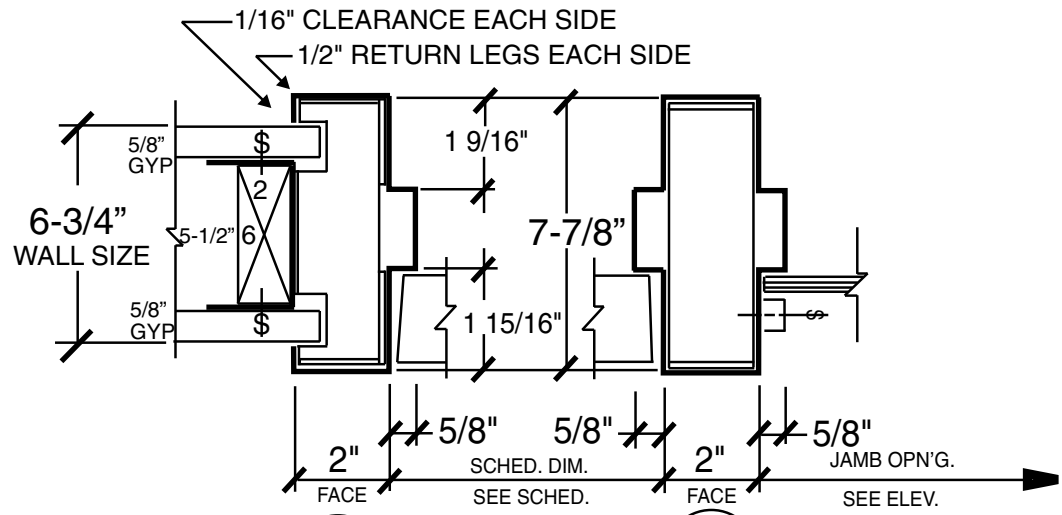


CUSTOMER NAME	REMOVABLE STOP ON \longrightarrow DOOR SIDE	* SEE SHEET EL4 FOR DETAILS	ELEV. C & D
	ELEVATION		SPECWORKS CONTROL No. 1067
			SHEET No. EL3



JAMB OP'N.G. SEE ELEV. 2" FACE JAMB OP'N.G. SEE ELEV. 2" FACE

C D



1/16" CLEARANCE EACH SIDE
1/2" RETURN LEGS EACH SIDE

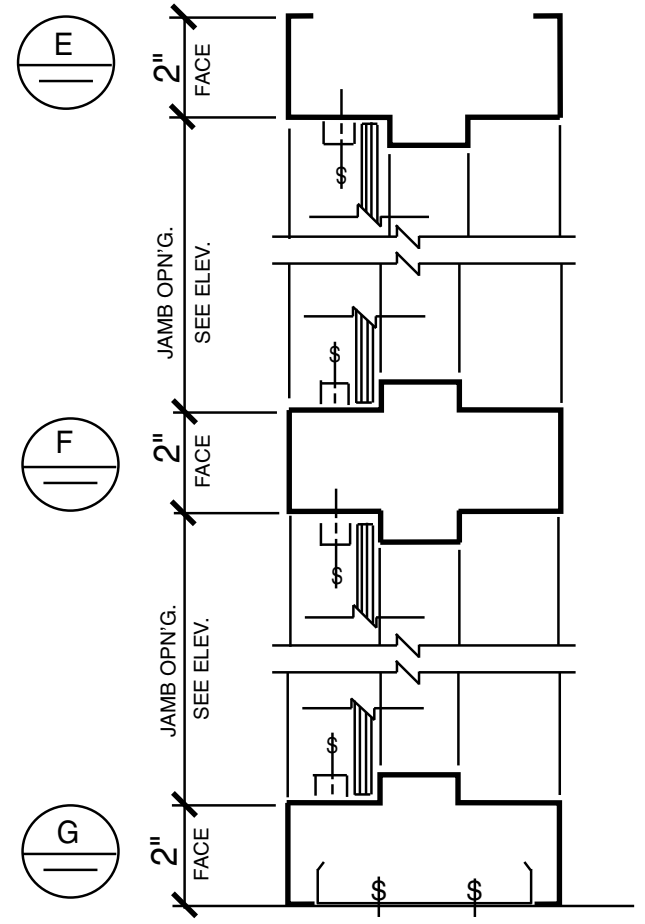
5/8" GYP 2 1 9/16" 7-7/8" 1 15/16"

6-3/4" WALL SIZE 5-1/2" 6

5/8" GYP

2" FACE 5/8" SCHED. DIM. SEE SCHED. 5/8" 2" FACE 5/8" JAMB OP'N.G. SEE ELEV.

A B



E F G

2" FACE JAMB OP'N.G. SEE ELEV. 2" FACE JAMB OP'N.G. SEE ELEV. 2" FACE JAMB OP'N.G. SEE ELEV. 2" FACE

INTERIOR

GLASS BY OTHERS = 1/4"

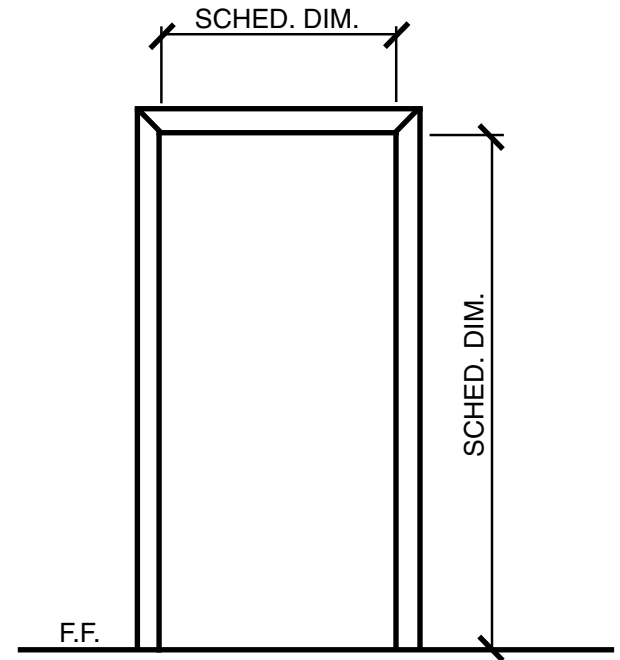
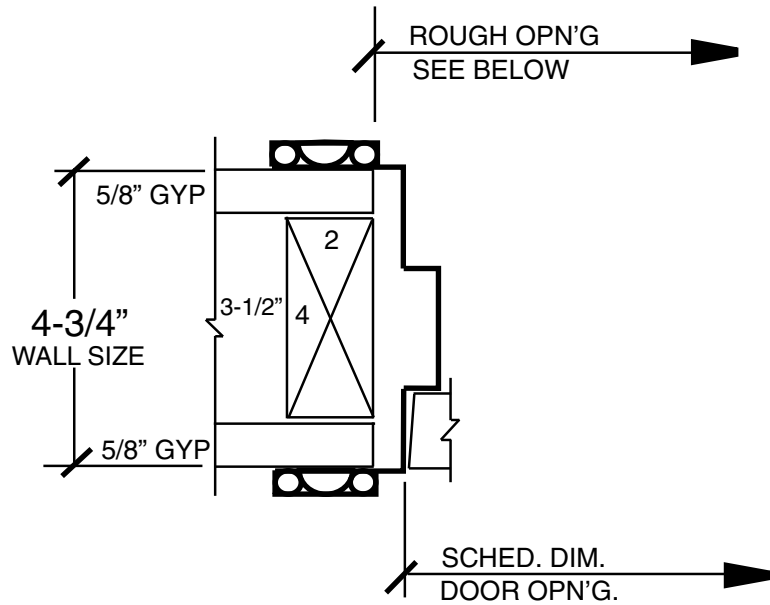
MATERIAL 16 GA CRS	WELD SEE TD1	ANCHORS WS/TD4	FLOOR WS		WALL TYPE INT	ELEV. FOR C&D
FINISH SEE TD1	KD-DW SEE TD1	SEE TD1 EA. JAMB	SEE TD1 HEAD	MB SILL	MORTAR BOX NO	PLAN REF. 1,2,8,9/A8.1

CUSTOMER NAME

DETAILS

SPECWORKS CONTROL No.	1067
SHEET No.	EL4

OPNG. No.	QUAN	DOOR SWING	DOOR OPNG.		CLSR	FIRE LAB.		HINGES	MANF/MODEL: _____ SIZE: _____	OTHER INSTRUCTIONS:
			WIDTH	HEIGHT					GAUGE: _____ BACKSET: _____	
									LOCK: _____	
									DEADBOLT: _____	
									FLUSH BOLT: _____	
								STRIKE	SILENCERS: _____	



ROUGH OPENING DIMENSIONS:
 WIDTH: DOOR OPN'G + 1 1/4"
 HEIGHT: DOOR HGT + 1"

MATERIAL: <i>TIMELY</i>	SERIES: <i>SEE TD1</i>
FINISH: <i>SEE TD1</i>	GA.: <i>SEE TD1</i>

WALL TYPE	INT1	ELEV. F
PLAN REF.	NONE	

CUSTOMER NAME	ELEVATION	SPECWORKS CONTROL No.	1067
		SHEET No.	EL6

SCHEDULE OF FINISH HARDWARE



CENTERLINE DRAWINGS & SERVICES
 4111 EAST SOUTH STREET, STE "D" - LAKEWOOD, CA. 90712
 TEL. (562) 633-7511 - FAX (562) 634-2335
curt@centerlinedrawings.com

11 MAY 2011 - FOR APPROVAL ONLY. DO NOT ORDER MATERIAL

RECORD OF PRINTS				APPROVAL STAMP:	PROJECT:
PRINTS	DATE	TO	FOR		PROJECT NAME
REV No.	DATE	REVISION	BY		LOCATION: 4111 EAST SOUTH STREET, STE "D" LAKEWOOD, CA. 90712
					ARCHITECT: CENTERLINE DRAWINGS
					CONTRACTOR: CENTERLINE DRAWINGS
					SUBMITTALS PREPARED FROM:
					PLAN DATE: 2 JULY 2009
					REVISION DATE: 2 JULY 2009
					SPEC: 8110 - 8210 - 8710
					ADDENDUM'S: NONE
					BULLETIN'S: NONE
					RFI'S: NONE
					SHEET No. <u>1</u> OF <u>19</u>

Index

<u>Door #</u>	<u>Hdg #</u>	<u>Door #</u>	<u>Hdg #</u>	<u>Door #</u>	<u>Hdg #</u>	<u>Door #</u>	<u>Hdg #</u>	<u>Door #</u>	<u>Hdg #</u>	<u>Door #</u>	<u>Hdg #</u>
01	01										
02	02										
03	03										
04	04										
05	05										
06	06										
07	03										
08	05A										
09	07										
10	08										
WA	BL										
WB	BL1										

Project : PROJECT NAME	Control # : 1067	Print Date : 06/08/2011	Project # :
Supplier : CUSTOMER NAME	Revision # :	Rev Date :	Index Page : 1

Manufacturers

Abbrev	Name
ANE	ANEMOSTAT PRODUCTS
BYO	BY OTHERS
IVE	H.B. IVES
LCN	LCN COMMERCIAL DIVISION
PEM	PEMKO MFG CO
SCH	SCHLAGE LOCK COMPANY
STE	STEELCRAFT
TIM	TIMELY INDUSTRIES INC
UNK	UNKNOWN

Project : PROJECT NAME	Control # : 1067	Print Date : 06/08/2011	Project # :
Supplier : CUSTOMER NAME	Revision # :	Rev Date :	Manufacturers Page : 1

Heading 01 (HwSet 01)

1 SGL DOOR(S) 01

EXTERIOR

FROM LOBBY

Hand Degree
RHR Act InAct

4'0" x 7'0" x 1-3/4" x HMD x HMF x NON-RTD

Totals	Each Assembly to have:					
(3)	3	EA	HINGE	3CB1HW 4.5 X 4.5 NRP	630	IVE
(1)	1	EA	ENTRANCE LOCKSET	L9453P 06A	630	SCH
(1)	1	EA	SURFACE CLOSER	P4041 EDA	689	LCN
(1)	1	EA	FLOOR STOP	FS441	626	IVE
(1)	1	SET	SEALS	303AV 1/48" X 2/84"	AL	PEM
(1)	1	EA	DOOR SHOE	217AV - 36"	AL	PEM
(1)	1	EA	THRESHOLD	171A - 36" MSA	AL	PEM

Project : PROJECT NAME	Control # : 1067	Print Date : 06/08/2011	Project # :
Supplier : CUSTOMER NAME	Revision # :	Rev Date :	Hdwe Sched Page : 1